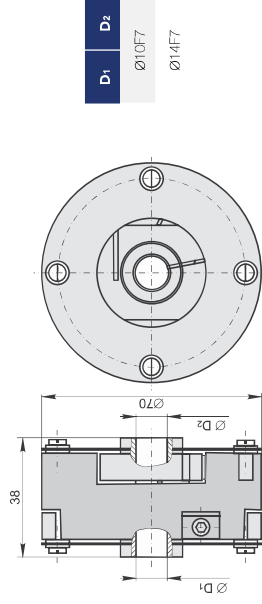




SC70

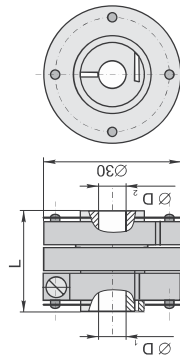


D1	D2
Ø10F7	Ø14F7

MECHANICAL DATA

Coupling model	SC30	SC70	SC98-1	SC98-2
Kinematic accuracy (with parallel offset ≤ 0.05 mm and angular misalignment $\leq 0.05^\circ$)	± 10 arc sec	± 2 arc sec	± 0.5 arc sec	± 1 arc sec
Torsional rigidity	150 Nm/rad	4000 Nm/rad	6000 Nm/rad	4000 Nm/rad
Permissible torque	0.1 Nm	0.5 Nm	1 Nm	1 Nm
Moment of inertia (approx.)	3×10^{-4} kgm ²	2×10^{-4} kgm ²	2×10^{-4} kgm	1.7×10^{-4} kgm ²
Permissible radial misalignment	≤ 0.2 mm	≤ 0.3 mm	≤ 0.3 mm	≤ 0.3 mm
Permissible angular error	$\leq 1^\circ$	$\leq 0.5^\circ$	$\leq 1^\circ$	$\leq 2^\circ$
Permissible axial misalignment	≤ 0.2 mm	≤ 0.2 mm	≤ 0.2 mm	≤ 0.2 mm
Permissible shaft speed	16000 rpm	3000 rpm	1000 rpm	1000 rpm
Weight	0.027 kg	0.22 kg	0.25 kg	0.21 kg
Encoder compatibility	A28, A36, AK36, AM, AK50, A58, AK58, AP58	A110	A170	A170

SC30

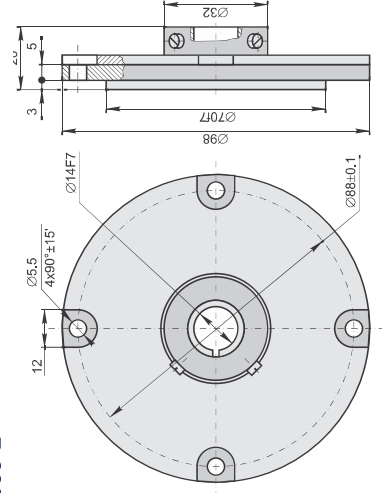


L
22
30

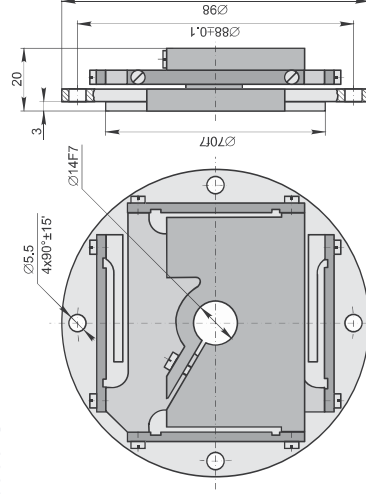


D1	D2
Ø4H7, Ø5H7, Ø6H7, Ø7H7, Ø8H7, Ø10H7, Ø11/4"	Ø5/16", Ø3/8"

SC98-2



SC98-1



ORDER FORM

SC - X1 - X2/X3 - X4

Model (X1):	Diameter d ₁ (X2):	Diameter d ₂ (X3):	*Length (X4)
SC30 SC98-1 SC98-2	04 - Ø4mm 05 - Ø5mm ...	04 - Ø4mm 05 - Ø5mm ...	22 - 22mm 30 - 30mm *only for SC30

ORDER EXAMPLES: 1) SC98-2/5/05-22
2) SC98-2
3) SC70-10/14